



# ENERGY METER



**DDSU666 5(80)A**  
**DTSU666 5(80)A**  
**DDSU666-CT 200A/5A**  
**DTSU666-CT 200A/5A**

## Features

### Accurate

- Class 1 measurement accuracy

### Convenience

- Optional 35mm DIN rail or front mounting

### Energy Saving

- Overall power consumption  $\leq 1$  W

### Safe & Reliable

- Fuse-free design for superior safety
- International authoritative certification, more reliable
- Natural cooling fully sealed design for better reliability

### Smart Energy

- Use clean, efficient renewable energy without pollution.
- Green and low carbon, saving economy, sustainable development

### Smart Monitoring

- One terminal can control multiple devices, and perform parameter monitoring and fault query

For more information, please contact us

[www.solaxpower.com](http://www.solaxpower.com)

AU: +61 1300 476529

DE: +49 6142 4091664

Global: +86 571-56260008

UK: +44 2476 586998

NL: +31 (0) 852 737932

[info@solaxpower.com](mailto:info@solaxpower.com)  
[service@solaxpower.com](mailto:service@solaxpower.com)





DDSU666  
5(80)A



DTSU666  
5(80)A



DDSU666-CT  
200A/5A



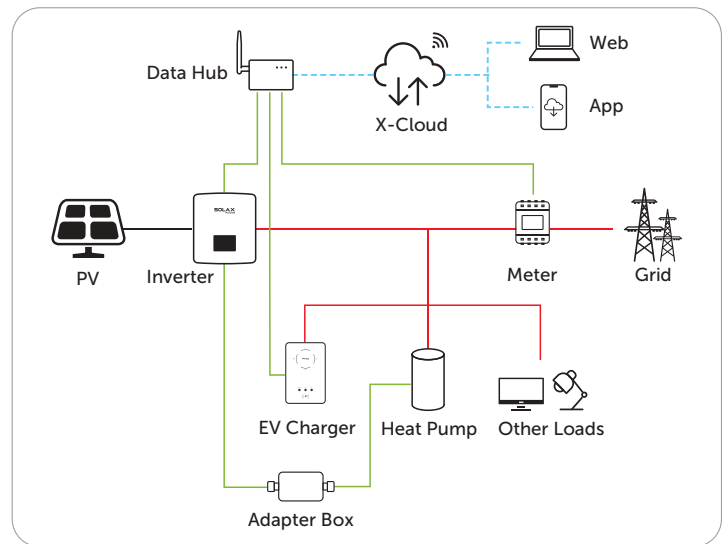
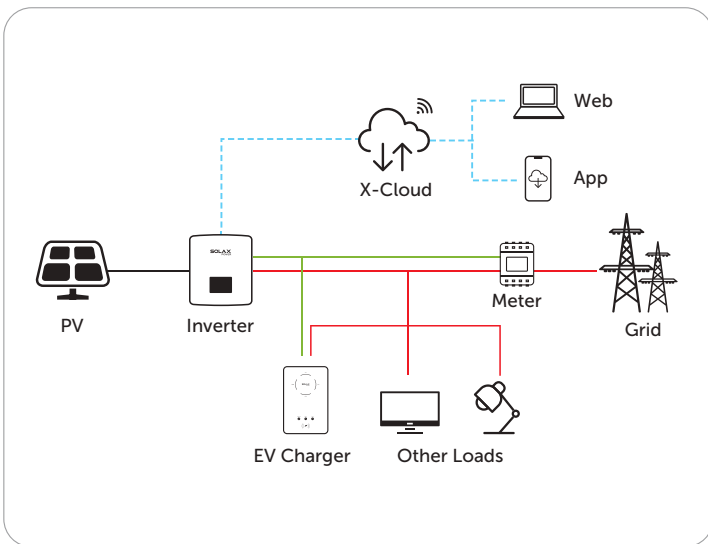
DTSU666-CT  
200A/5A

**General Data**

|                               |  |  |  |  |
|-------------------------------|--|--|--|--|
| Dimension (H xW xD)           | 100 x 36 x 65.5 mm<br>(3.9 x 1.4 x 2.6 inch) | 100 x 72 x 65.5 mm<br>(3.9 x 2.8 x 2.6 inch) | 100 x 36 x 65.5 mm<br>(3.9 x 1.4 x 2.6 inch) | 100 x 72 x 65.5 mm<br>(3.9 x 2.8 x 2.6 inch) |
| Mounting type                 | DIN35 Rail                                   |  |  |  |
| Weight (including cables)     | 1.2 kg (2.6 lb)                              | 1.5 kg (3.3 lb)                              | 1.2 kg (2.6 lb)                              | 1.5 kg (3.3 lb)                              |
| <b>Power Supply</b>           |  |  |  |  |
| Power grid type               | 1P2W   | 3P4W/3P3W                                    | 1P2W   | 3P4W/3P3W                                    |
| Input voltage (phase voltage) | 184Vac ~ 264.5Vac                            | 154 Vac ~ 286 Vac                            | 184Vac ~ 264.5Vac                            | 154 Vac ~ 286 Vac                            |
| Power consumption             | ≤1 W   | ≤1.5 W                                       | ≤1 W   | ≤1.5 W                                       |
| <b>Measurement Range</b>      |  |  |  |  |
| Line voltage                  | /  | 290.5 Vac~ 539.5 Vac                         | /  | 290.5 Vac~ 539.5 Vac                         |
| Phase voltage                 | 184Vac ~ 264.5Vac                            | 168 Vac ~ 312 Vac                            | 184Vac ~ 264.5Vac                            | 168 Vac ~ 312 Vac                            |
| Current                       | 0.25-5(80)A                                  | 0.25-5(80)A                                  | 0.015-1.5(6)A<br>(CT: 200A)                  | 0.015-1.5(6)A<br>(CT: 200A)                  |
| <b>Measurement Accuracy</b>   |  |  |  |  |
| Accuracy Class                | Class B                                      | Class B                                      | Class C                                      | Class C                                      |
| <b>Communication</b>          |  |  |  |  |
| Interface                     | RS485  |  |  |  |
| Baud rate                     | 9,600 bps                                    |  |  |  |
| Communication protocol        | Modbus-RTU                                   |  |  |  |
| <b>Environment</b>            |  |  |  |  |
| Operating temperature range   | -25°C~+55°C                                  | -10°C~+45°C                                  | -25°C~+55°C                                  | -10°C~+45°C                                  |
| Storage temperature range     | -25°C~+55°C                                  | -25°C~+75°C                                  | -25°C~+55°C                                  | -25°C~+75°C                                  |
| Operating humidity            | <75 % non condensing                         |  |  |  |
| <b>Others</b>                 |  |  |  |  |
| Accessories                   | /  | RS485 Cable (10 m / 33 ft.), RJ45 connector  | 1 CT 200A/5A (1m)                            | 3 CT 200A/5A (1m)                            |

**Solutions**

DC — AC — RS485 — Internet - - - -



**CT Optional**

|       |          |          |           |
|-------|----------|----------|-----------|
| Model | LCTA97C2 | LCTA97C4 | ESCT-B812 |
| Ratio | 200A/5A  | 600A/5A  | 1500A/5A  |

\*V1.2. Information may be subject to modify without notice.650.00033.00